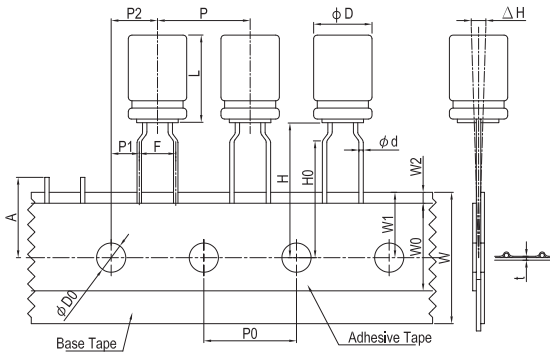
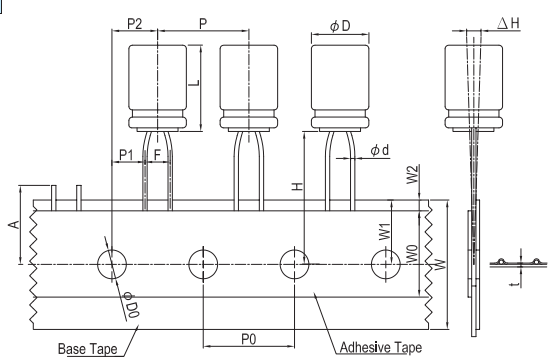


## Taping Specifications for Radial Type (Applicable Standard JIS C 0806-2)

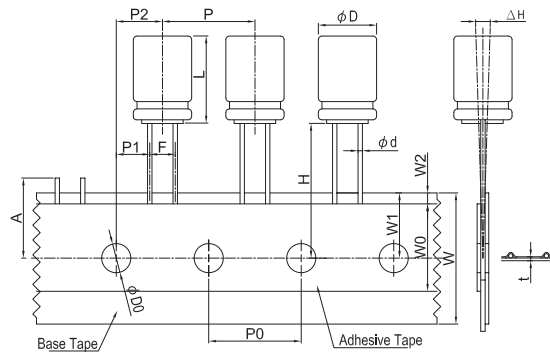
**Fig. 1**



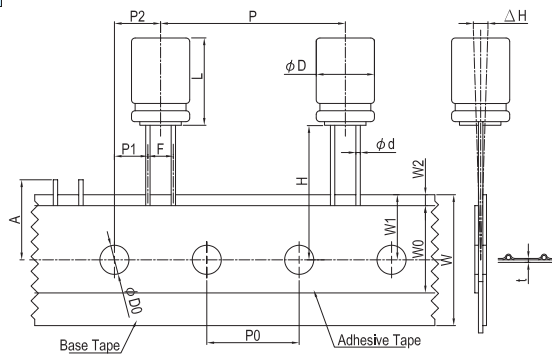
**Fig. 2**



**Fig. 3**



**Fig. 4**



Unit: mm

Packing Symbol φD	TA <sup>*1</sup>									SA								SP										
	5 <sup>*2</sup>			7 ~ 9			≥ 11			5 <sup>*2</sup>				≥ 7		7 ~ 9		11.5 ~ 20		9 ~ 25								
	4 <sup>*3</sup>	5	6.3	8	5	6.3	8	5	6.3	8	4 <sup>*3</sup>	5	6.3	8	5 <sup>*4</sup>	6.3 <sup>*4</sup>	8	8	Tol. <sup>*1</sup>	10	12.5	12.5	Tol.					
φd	0.45			0.5			0.6			0.45				0.5		0.6		± 0.05		0.6			± 0.05					
F	5.0				17.5				2.5				3.5		3.5		+0.8/-0.2		5.0			+0.8 / -0.2						
H	17.5				18.5				17.5				18.5		18.5		± 0.75		18.5			± 0.75						
H0	16.0				---				---				---		± 0.5		---		---			---						
P	12.7				12.7				12.7				12.7		± 1.0		12.7		25.4		15.0		± 1.0					
P0	12.7				12.7				12.7				± 0.2		12.7		12.7		15.0 <sup>*5</sup>		± 0.2 / ± 0.3 (*5)							
P1	3.85				5.1				5.1				4.6		4.6		± 0.5		3.85		3.85		5.0		± 0.7			
P2	6.35				6.35				6.35				6.35		± 1.0		6.35		6.35		7.5		± 1.3					
W	18.0				18.0				18.0				18.0		± 0.5		18.0		18.0		± 0.5							
W0	6.0			10.0			12.0			6.0				10.0		12.0		min.		12.0			min.					
W1	9.0				9.0				9.0				9.0		± 0.5		9.0		9.0		± 0.5							
W2	1.5				1.5				1.5				1.5		max.		1.5		max.		max.							
A	11.0				11.0				11.0				11.0		max.		11.0		max.		max.							
φD0	4.0				4.0				4.0				4.0		± 0.2		4.0		4.0		± 0.2							
ΔH	0				0				0				0		± 1.0		0		0		± 1.0							
t	0.7				0.7				0.7				0.7		± 0.2		0.7		0.7		± 0.2							
Fig. No.	1				2				3				3				3				4				3			

Note: \*1: The "Tol." of "TA" is the same as "SA".

\*2: For 4 ~ 8 φ × 5L, W0 = 10.0 mm is available.

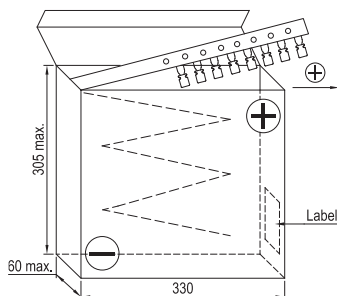
\*3: 4 φ × 7L the spec. is the same as 4 φ × 5L.

\*4: H of the 5 ~ 6.3 φ × 11 ~ 15L for "SA" packing is 18.5 mm.

\*5: The "Tol." of P0 for "SP" packing is 0.3 mm. Customized taping may be available upon request. Please consult with us.

### Package

**Fig. 5** Ammo pack box



### Package Quantity

Unit: pcs / box

φD(mm)	4	5	6.3	8	10	12.5
Quantity	2,500	2,000	2,000	1,000	500	300

Note: The component shall be oriented on the tape as such that the positive lead is leading or the negative lead is leading with customer's request.